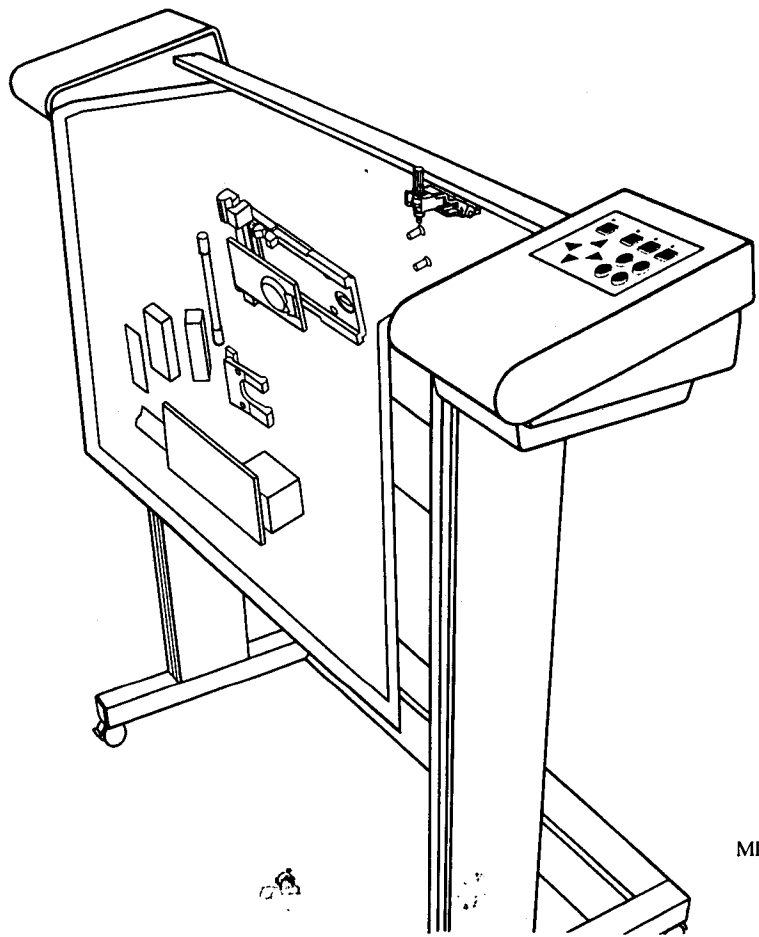


DMP-60 SERIES PLOTTERS

OPERATION MANUAL



0690

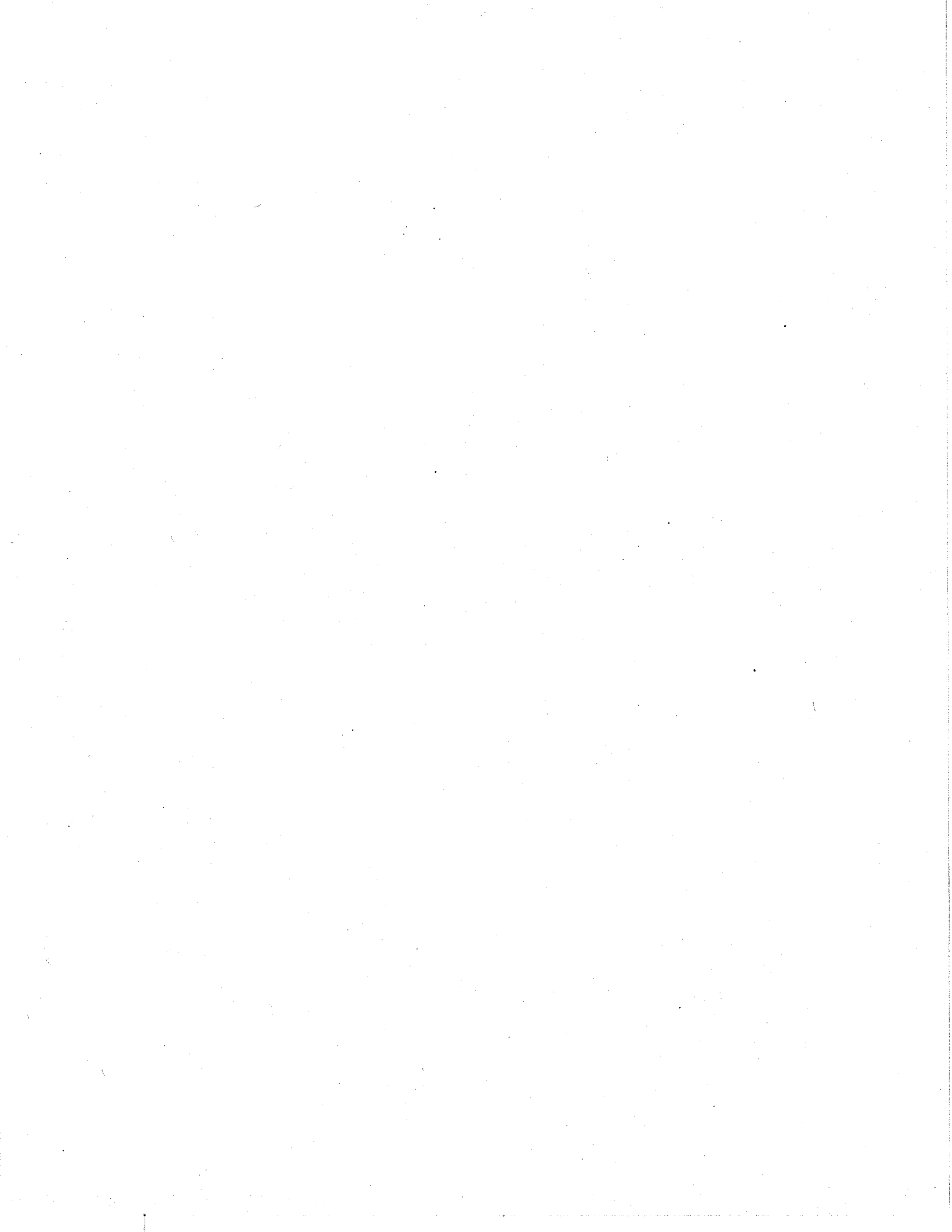
MI-1110



32MP

DMP-60 SERIES PLOTTERS OPERATION MANUAL

HOUSTON INSTRUMENT™
A Summagraphics Company



WARNING

This equipment has been tested and found to comply with the limits for a Class A digital device, pursuant to Part 15 of the FCC Rules. These limits are designed to provide reasonable protection against harmful interference when the equipment is operated in a commercial environment. This equipment generates, uses, and can radiate radio frequency energy and, if not installed and used in accordance with the instruction manual, may cause harmful interference to radio communications. Operation of this equipment in a residential area is likely to cause harmful interference in which case the user will be required to correct the interference at his own expense. CAUTION! Changes or modifications, not expressly approved by Houston Instrument who is responsible for FCC compliance, could void the users authority to operate this equipment.

NOTICE

This digital apparatus does not exceed the Class A limits for radio noise for digital apparatus set out in the Radio Interference Regulations of the Canadian Department of Communications.

WARRANTY

The warranty terms and conditions for this Houston Instrument product are listed on the Warranty Card, which is included with your purchase.

OSHA CHEMICAL HAZARD COMMUNICATION STANDARD

Finished products manufactured and sold by Houston Instrument are not hazardous under the criteria identified per 29 CFR 1910.1200 (g) (2).

The writing pens used with this plotter are encapsulated in plastic and are considered an "article" under OSHA Chemical Hazard Communication "Employee Right To Know" standard 1910.1200 (b) (5) (iv).

DISCLAIMER OF USE

Houston Instrument DMP-60 series plotters produce high-quality plots when used in accordance to the instruction manual. These plotters are not intended for any other use.

There are no customer serviceable parts in this instrument. All repairs are to be made by authorized Houston Instrument service personnel.

NOTICE

Houston Instrument reserves the right to change any information contained in this manual without notice. Unauthorized copying, modification, distribution, or display is prohibited. All rights reserved. Please address all questions, comments, or suggestions concerning this and other Houston Instrument manuals to:

Technical Publications
Houston Instrument
8500 Cameron Road
Austin, Texas 78753

TRADEMARK ACKNOWLEDGEMENTS

Houston Instrument, DM/PL, and SCAN-CAD are trademarks of Summagraphics Corp.

AutoCAD is a trademark of Autodesk, Inc.

BASIC is a trademark of the trustees of Dartmouth College.

Hewlett-Packard and HP are trademarks of Hewlett-Packard Company.

IBM PC, IBM AT, IBM PC/XT and IBM PS/2 are trademarks of International Business Machines Corporation.

MS-DOS is a trademark of Microsoft Corporation.

Macintosh, Macintosh Plus, Macintosh SE, and Macintosh II are trademarks of Apple Computer Company.

VersaCAD is a registered trademark of VersaCAD Corporation.

IMPORTANT SAFETY INSTRUCTIONS

1. Read all of these instructions.
2. Save these instructions for later use.
3. Follow all warnings and instructions marked on the plotter.
4. Unplug this unit from the wall outlet before cleaning. Do not use liquid cleaners or aerosol cleaners. Use a damp cloth for cleaning.
5. Do not use the plotter near or in water.
6. Do not place the plotter on an unstable cart, stand, or table. The unit may fall, causing serious damage.
7. Slots or openings in the cabinet and the back or bottom are provided for ventilation; to ensure reliable operation of the product and to protect it from overheating, these openings must not be blocked or covered. The openings should never be blocked by placing the unit on a bed, sofa, rug, or other similar surface. This product should never be placed near or over a radiator or heat register. This product should not be placed in a built-in installation unless proper ventilation is provided.
8. The plotter should be operated from the type of power source indicated on the marking label. If you are not sure of the type of power available, consult your dealer or local power company.
9. The plotter is equipped with a three-wire grounding type plug, which is a plug having a third (grounding) pin. This plug will fit only into a grounding-type power outlet. This is a safety feature. If you are unable to insert the plug into the outlet, contact your electrician to replace your obsolete outlet. Do not defeat the purpose of the grounding-type plug.
10. Do not allow anything to rest on the power cord. Do not locate the plotter where persons will walk on the cord.

11. If an extension cord is used with the plotter, make sure that the total of the ampere ratings on the products plugged into the extension cord does not exceed the extension cord ampere rating. Also, make sure that the total of all products plugged into the wall outlet does not exceed 15 amperes.
12. Never push objects of any kind into the plotter through cabinet slots since they may touch dangerous voltage points or short out parts that could result in a risk of fire or electrical shock. Never spill liquid of any kind on the plotter.
13. Do not attempt to service the plotter yourself. Opening or removing those covers marked "Do Not Remove" may expose you to dangerous voltage points or other risks. Refer all servicing in those compartments to service personnel.
14. Unplug the plotter from the wall outlet and refer servicing to qualified personnel under the following conditions:
 - A. When the power cord or plug is damaged or frayed.
 - B. If liquid has been spilled into the plotter.
 - C. If the plotter has been exposed to rain or water.
 - D. If the plotter does not operate normally when operating instructions are followed. Adjust only those controls that are covered by the operating instructions since improper adjustment of other controls may result in damage and will often require extensive work by a qualified technician to restore this product to normal operation.
 - E. If the plotter has been dropped or the cabinet has been damaged.
 - F. If the plotter exhibits a distinct change in performance, indicating a need for service.

MANUAL REVISION HISTORY

DATE NOTES

SEP 87 Original issue.

JAN 88 Revised Paragraphs 2.4.7, 2.5.5, A.6.2.
Revised Table 1-1.
Revised BASIC Programs, Appendix E.

SEP 88 Added Section 0.

NOV 88 General update to incorporate *DMP-60 Series Plotters*
MW-1192/MW-1193 ROM Set Supplement, part number MI-1138.

JUN 89 Replaced warranty information with warranty reference.
Updated Table 1-6.

JUN 90 Replaced all Customer Confidence Test plots. Replaced all references
to Ametek with Summagraphics, new division owner.